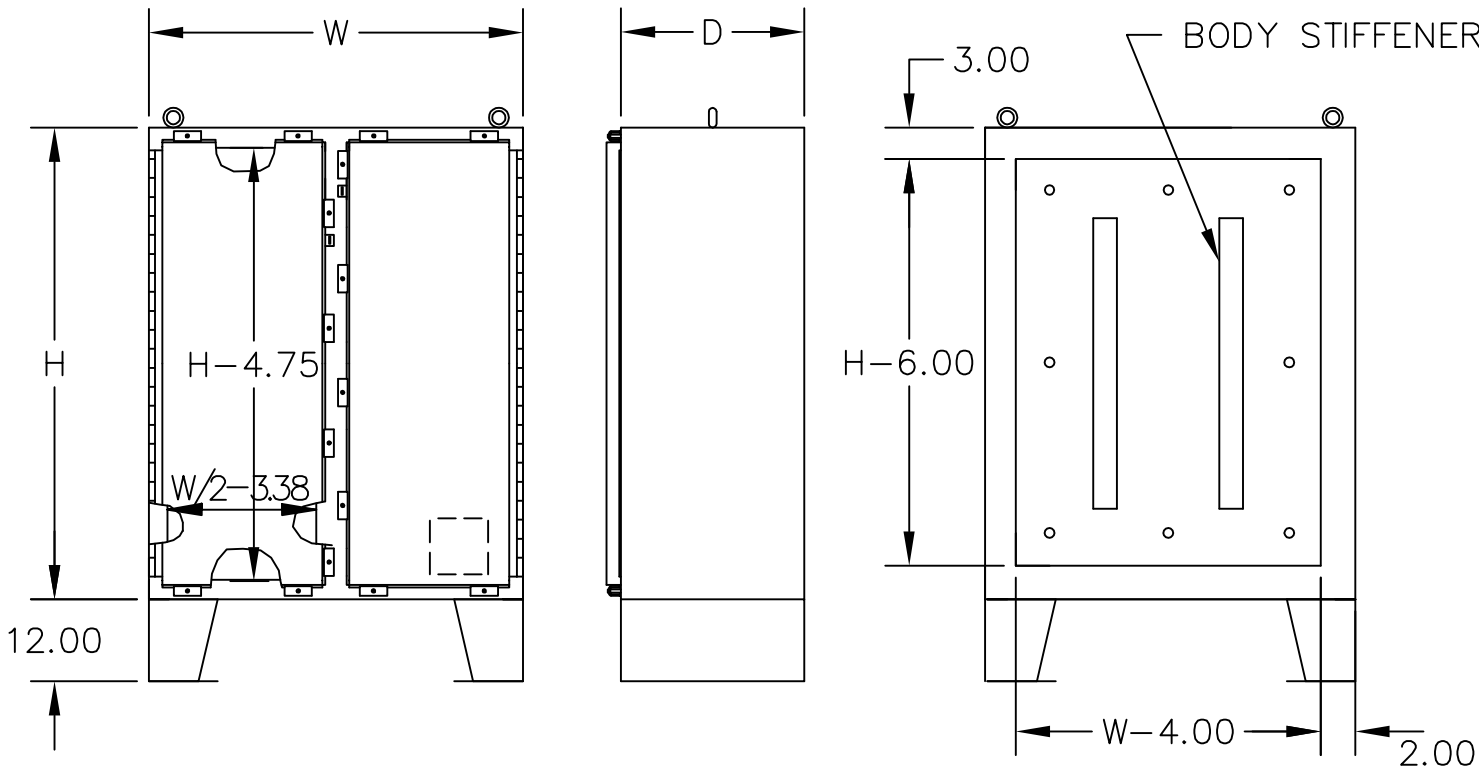


CATALOG#: SDN4X

UL LISTED

CANADIAN UL LISTED

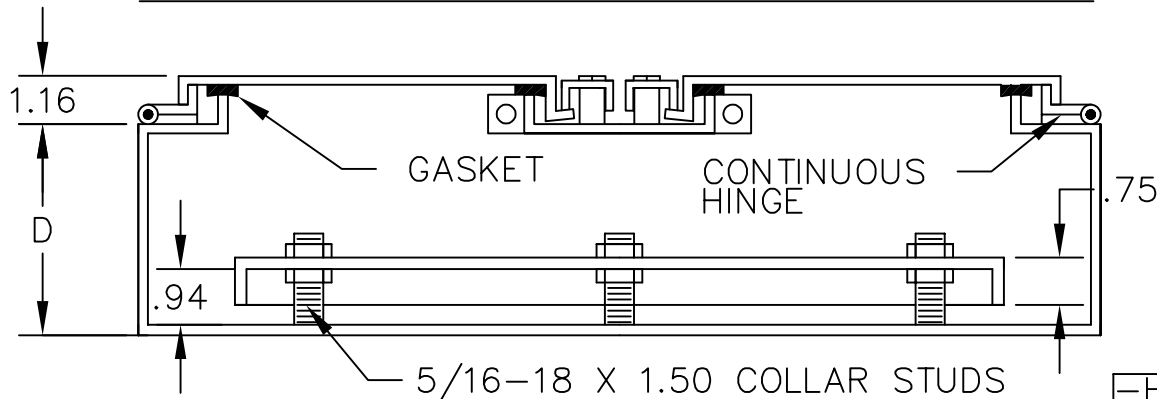


CONSTRUCTION:
 -12 GAUGE TYPE 304 STAINLESS STEEL.
 -SEAMS CONTINUOUSLY WELDED AND GROUND SMOOTH.
 -REMOVABLE CENTERPOST FOR EASY PANEL INSTALLATION.
 -HEAVY-DUTY LIFTING EYES.
 -STAINLESS STEEL SCREWS AND CLAMPS ON THREE SIDES OF EACH DOOR ASSURE WATERTIGHT SEAL.
 -HEAVY GAUGE STAINLESS STEEL CONTINUOUS HINGE.
 -12 INCH FLOOR STANDS ARE WELDED TO ENCLOSURE.
 -TONGUE AND HASP FOR PADLOCKING.
 -REMOVABLE PRINT POCKET
 -OIL RESISTANT GASKET.
 -STUDS PROVIDED FOR MOUNTING OPTIONAL PANEL.

FINISH:
 -ENCLOSURES ARE UNPAINTED AND HAVE A NUMBER 3 SMOOTH BRUSHED FINISH.

APPROVAL:

STAINLESS STEEL TWO DOOR TYPE 4X ENCLOSURES



H	W	D



E-BOX
 101 Air Park Industrial Road
 Alabaster, Alabama 35007
 Phone: (205)663-9189
 Fax: (205)663-9587

