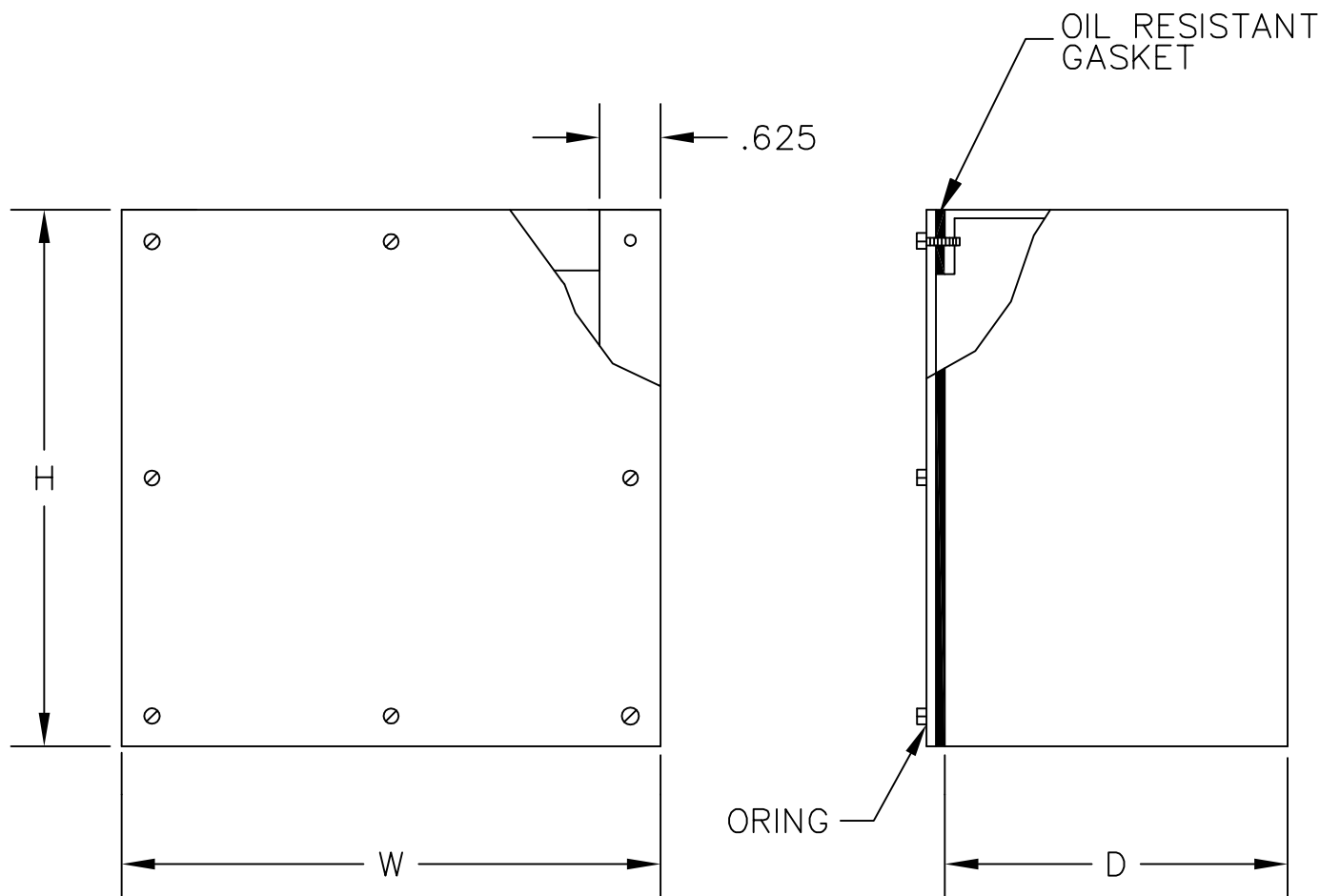


CATALOG#: ASG

UL LISTED

CANADIAN UL LISTED



ALUMINUM TYPE 3 AND TYPE 12 GASKETED SCREW COVER

CONSTRUCTION:
-TYPE 5052 H-32
.080 ALUMINUM.
-SEAMS CONTINUOUSLY
WELDED AND GROUND
SMOOTH.
-REMOVABLE COVER
FASTENED WITH STAINLESS
STEEL TAMPER PROOF
SCREWS.

FINISH:
-ENCLOSURES ARE UN-
PAINTED AND HAVE AN
E-BOX BRUSHED FINISH.

-H-	-W-	-D-

APPROVAL: _____



E-BOX
101 Air Park Industrial Road
Alabaster, Alabama 35007
Phone: (205)663-9189
Fax: (205)663-9587

