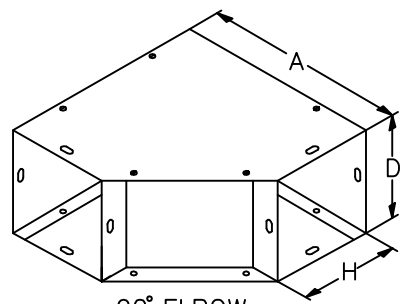
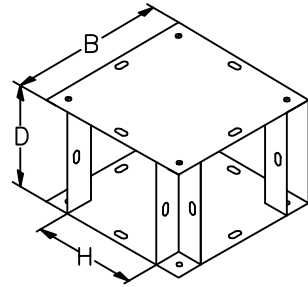


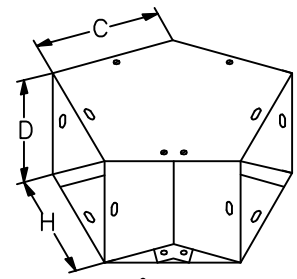
DIVIDER



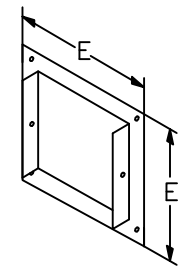
90° ELBOW



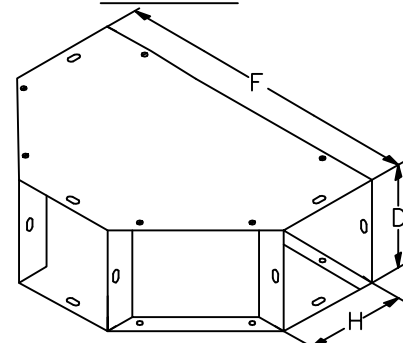
90° ELBOW-T-CROSS



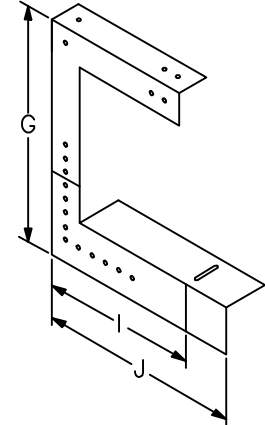
45° ELBOW



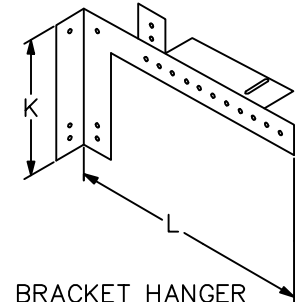
PANEL ADAPTER



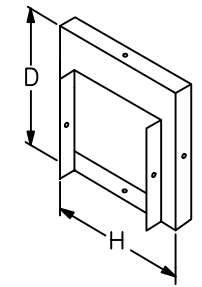
TEE



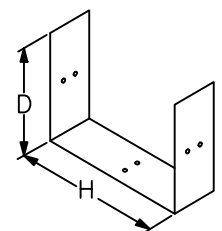
DROP HANGER



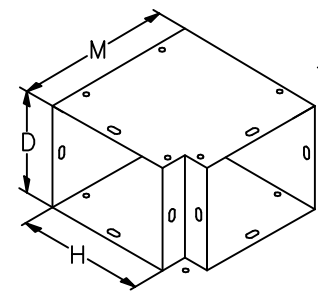
BRACKET HANGER



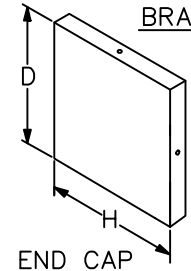
REDUCER



U-CONNECTOR



HORIZONTAL 90° ELBOW



END CAP

SIZE	-H-	-D-	-A-	-B-	-C-	-E-	-F-	-G-	-I-	-J-	-K-	-L-	-M-
2X2	2.50	2.50	6.50	4.50	3.01	4.00	10.50	8.50	3.38	4.50	3.75	7.25	4.50
4X4	4	4	8	6	4.60	5.50	12	10.50	4.12	6.00	4.50	9.25	6.00
6X6	6	6	12	8	5.43	7.50	18	15.00	5.12	7.12	5.50	13.75	8.00
8X8	8	8	14	10	6.25	9.50	20	21.00	7.00	10.81	7.75	13.75	10.00
10X10	10	10	16	12	7.12	11.50	22	22.00	8.38	13.18	10.25	13.75	12.00
12X12	12	12	18	14	7.94	13.50	24	23.00	9.78	15.56	12.50	13.75	14.00

SCREW COVER TYPE 1 WIREWAY FITTINGS

CONSTRUCTION:  
 -CODE GAUGE G-90U GALVANIZED STEEL.  
 -FITTINGS CAN BE OPENED ON ANY SIDE TO PERMIT THE LAYING IN OF ENTIRE RUNS OF WIRING.

FINISH:  
 -FITTINGS ARE PROVIDED STANDARD IN GALVANIZED G-90U.

APPROVAL:



E-BOX  
 101 Air Park Industrial Road  
 Alabaster, Alabama 35007  
 Phone: (205)663-9189  
 Fax: (205)663-9587

